



FUSION ULTRA 5G

Advanced Commercial 5G Signal Booster Built for Canada

Increase 5G connectivity with the ONLY commercial cell booster in Canada that amplifies 8 frequency bands providing double the amplified spectrum of traditional boosters. It is the only commercial booster that includes the high capacity and high priority mid-bands 66 & 7 used by all Canadian carrier networks including Telus, Bell, Rogers, and Videotron.

POWERHOUSE 8-BAND AMPLIFIER

Fusion Ultra 5G comes with dual outdoor antennas that significantly improve mid-band signal capture and multi-carrier performance. Dual high-power RF output ports deliver double the gain, power, and coverage area compared to other commercial boosters and flexible DC power cables enables installation where coverage is needed, not where the wall plug exists.

DOUBLE THE AMPLIFIED SPECTRUM

With 586 MHz of total amplified spectrum, which is more than any other commercial cell booster, Fusion Ultra 5G boosts more 5G and LTE-A delivering faster, real-time performance where other boosters lose connectivity.

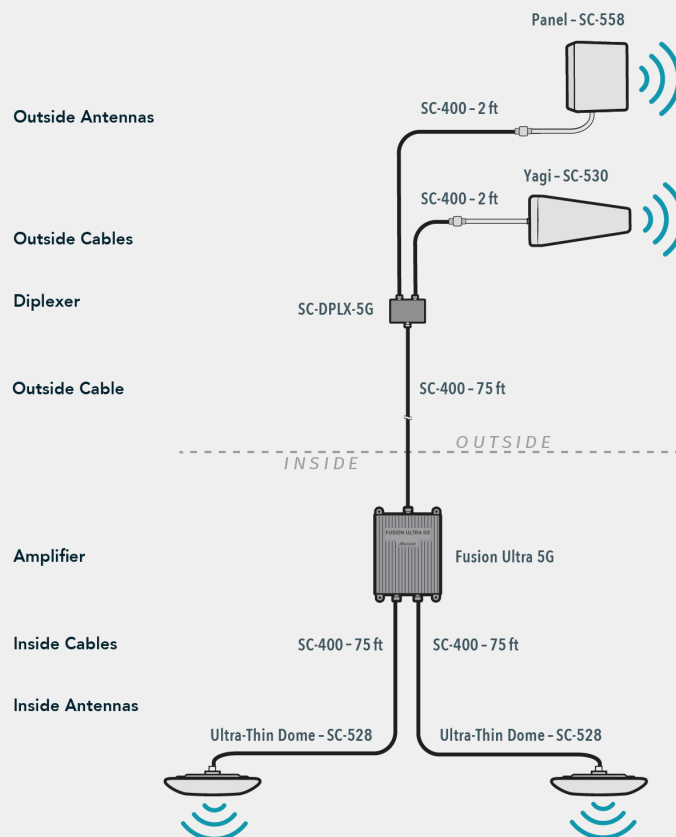
SECURE COVERAGE FOR EVERYONE, ON EVERY CARRIER—UP TO 30,000 SQ FT

- **Retail Stores**
Shoppers depend on cell service for price checks, reviews, and purchase decisions.
- **Hospitality: Restaurants, Bars, Cafés**
Social engagement and real-time communication require a reliable signal.
- **Public & Civic Spaces: Government Offices**
Constant all-carrier connectivity for all users and devices.



General Specifications

Uplink Frequency Range (MHz):	663-698 / 698-716 / 776-787 / 824-849 / 1850-1915 / 1710-1780 / 2500-2570
Downlink Frequency Range (MHz):	617-652 / 728-746 / 746-757 / 869-894 / 1930-1995 / 2110-2180 / 2620-2690
Supported Standards:	5G, 4G, LTE cellular standards
8 Cellular Bands:	71 / 12 / 13 / 5 / 25 / 4 / 66 / 7
Impedance:	50 Ω
Maximum Gain:	75 dB
Maximum Uplink Power EIRP:	30 dBm
Maximum Downlink Power EIRP (per port):	17 dBm
Number of Downlink Ports:	2
VWSR:	≤ 2.0
DC Power:	9-19V
Cable:	SC-400
RF Connectors:	N-Female (both ends)
Power Consumption:	≤24W
Operation Temperature:	-4° to +158° F (-20° to +70° C)
Dimensions:	9.7 x 6.5 x 2 inch (24.7 x 16.5 x 5.1 cm)
Weight:	5.7 lbs (2.6 kg)
Certifications:	IC ID: 7784A-FULTRA5G Contains IC: 23236-PB03 and IC: 8595A-2AGQN4NNN



DEPLOYMENT, SUPPORT & COVERAGE ADVANTAGE

Fusion Ultra 5G has two flexible kitting options. No programming or additional monthly fees required and includes industry-best 3-year warranty.

Kitting Options:

2 x Ultra-Thins: SC-FusionUltra5G-YP2U

2 x Wall-Panels: SC-FusionUltra5G-YP2P